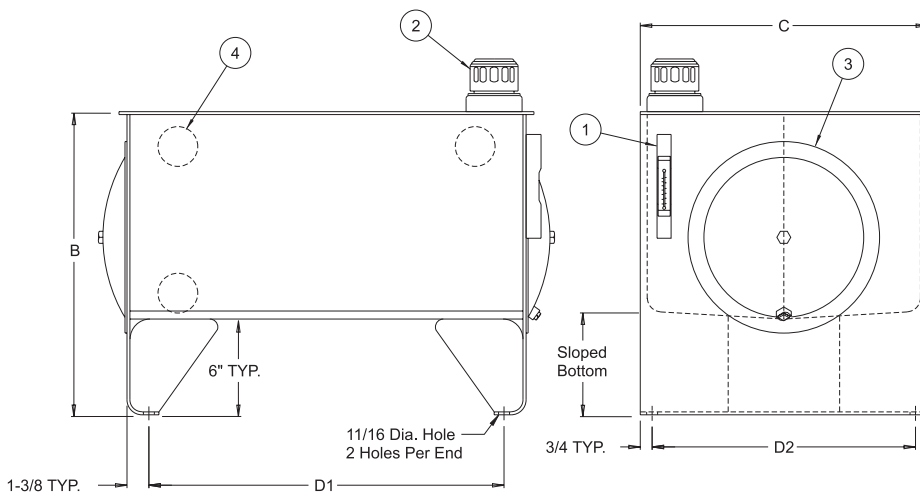
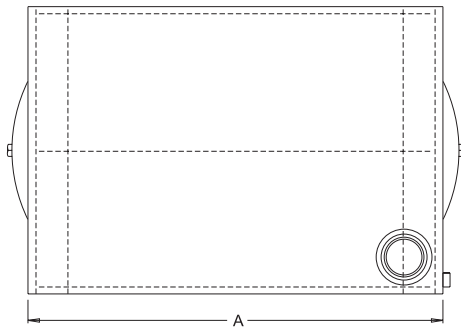




# J.I.C. TYPE RESERVOIRS

## Style A



### Each Style A Reservoir Includes:

1. (1) Oil Level & Temp. Gauge
2. (1) Riser with Filler Breather
3. (2) Steel Endcovers with Gaskets  
\*(1) Endcover includes 3/4" NPT Drain
4. Baffle with cutouts for circulation
5. Exterior of reservoir prime painted
6. Interior of reservoir coated with rust preventive oil

### Sight Gauge

10 to 200 gallon - 5" sight gauge (ALG5T)  
300 gallon and up - 10" sight gauge (FMALG10T)

### Filler Breather

Bayonet Style - 40 micron (5201)

*Sight Gauge and Filler Breather shipped loose inside reservoir*

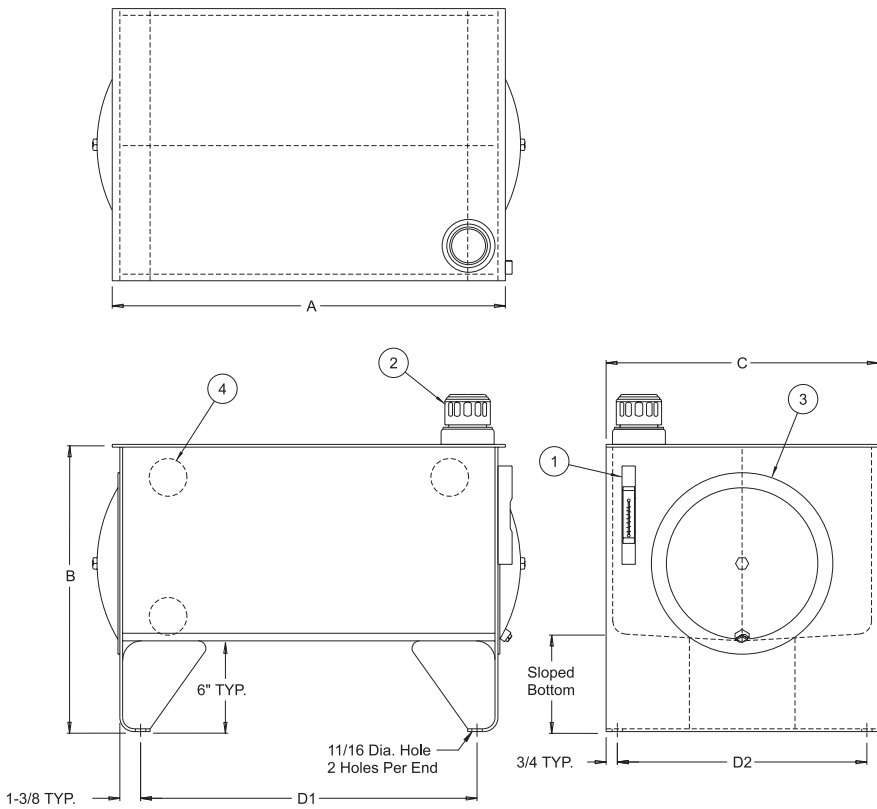
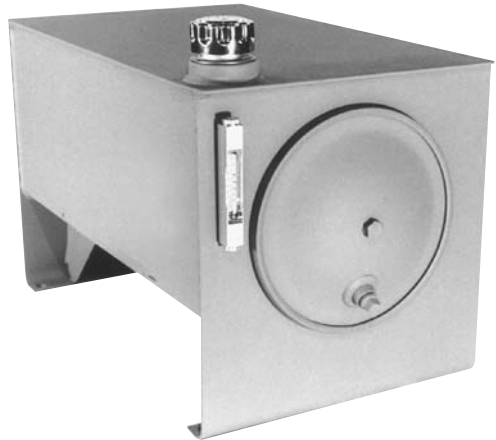
Capacity Gallons	Vescor Part Number	Tank Dimensions (inches)					Material Thickness			Shipping Weight
		A Length	B Height	C Width	Mounting Centers D1 ±1/8" D2 ±1/8"		End Cover	End	Top	
10	10010	22"	19"	18"	18 1/4"	16 1/2"	12"	7 GA.	7 GA.	105#
15	10015	26"	19"	18"	22 1/4"	16 1/2"	12"	7 GA.	7 GA.	105#
20	10020	30"	19"	18"	26 1/4"	16 1/2"	12"	7 GA.	7 GA.	124#
30	10030	36"	19 3/8"	24"	32 1/4"	22 1/2"	12"	7 GA.	7 GA.	178#
40	10040	36"	21"	24"	32 1/4"	22 1/2"	12"	7 GA.	7 GA.	190#
50	10050	36"	23"	24"	32 1/4"	22 1/2"	16"	7 GA.	7 GA.	200#
60	10060	48"	20 11/16"	27"	44 1/4"	25 1/2"	16"	7 GA.	3/8"	314#
80	10080	60"	21 1/2"	27"	56 1/4"	25 1/2"	16"	7 GA.	3/8"	398#
100	100100	60"	23 1/2"	27"	56 1/4"	25 1/2"	16"	7 GA.	3/8"	418#
120	100120	60"	27"	30"	56 1/4"	28 1/2"	16"	3/8"	3/8"	616#
150	100150	60"	31"	30"	56 1/4"	28 1/2"	16"	3/8"	3/8"	681#
200	100200	72"	29 3/8"	36"	68 1/4"	34 1/2"	18"	3/8"	3/8"	908#
300	100300	72"	38 1/2"	36"	68 1/4"	34 1/2"	18"	3/8"	3/8"	999#
400	100400	72"	38 1/2"	48"	68 1/4"	46 1/2"	18"	3/8"	1/2"	1578#
500	100500	72"	43"	48"	68 1/4"	46 1/2"	18"	3/8"	1/2"	1733#
600	100600	96"	43"	48"	92 1/4"	46 1/2"	18"	3/8"	1/2"	1838#
700	100700	96"	49"	48"	92 1/4"	46 1/2"	18"	3/8"	1/2"	1996#

NOTE: WITH VESCORS' POLICY OF CONSTANTLY IMPROVING ITS PRODUCTS, SPECIFICATIONS ARE SUBJECT TO CHANGE WITHOUT NOTICE.



# J.I.C. TYPE RESERVOIRS

## Style A Stainless Steel



### Each Stainless Steel Style A Reservoir Includes:

- (1) Oil Level & Temp. Gauge
- (1) Riser with Filler Breather
- (2) Stainless Steel Endcovers with Gaskets  
\*(1) Endcover includes 3/4" NPT Drain
- Baffle with cutouts for circulation
- Material - 304 Stainless Steel

### Sight Gauge

10 to 200 gallon - 5" sight gauge (ALG5T)  
300 gallon and up - 10" sight gauge (FMALG10T)

### Filler Breather

Bayonet Style - 40 micron (5201)

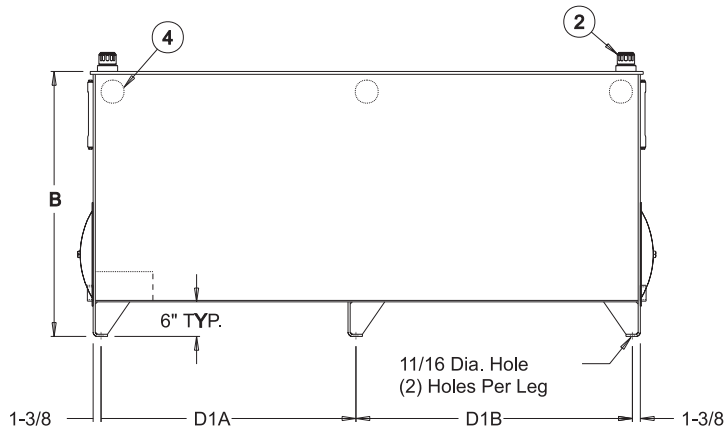
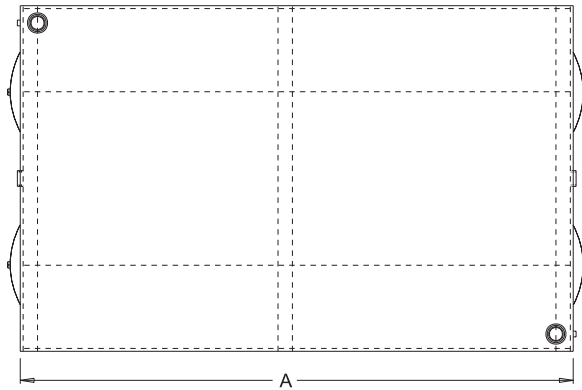
**Note:** Sight Gauge and Filler Breather are not stainless steel

*Sight Gauge and Filler Breather shipped loose inside reservoir*

Capacity Gallons	Vescor Part Number	Tank Dimensions (inches)					Material Thickness			Shipping Weight
		A Length	B Height	C Width	Mounting Centers		End Cover	End	Top	
					D1 ±1/8	D2 ±1/8				
10	23610	22"	19"	18"	18 1/4"	16 1/2"	12"	7 GA.	7 GA.	105#
15	23615	26"	19"	18"	22 1/4"	16 1/2"	12"	7 GA.	7 GA.	105#
20	23620	30"	19"	18"	26 1/4"	16 1/2"	12"	7 GA.	7 GA.	124#
30	23630	36"	19 3/8"	24"	32 1/4"	22 1/2"	12"	7 GA.	7 GA.	178#
40	23640	36"	21"	24"	32 1/4"	22 1/2"	12"	7 GA.	7 GA.	190#
50	23650	36"	23"	24"	32 1/4"	22 1/2"	16"	7 GA.	7 GA.	200#
60	23660	48"	20 11/16"	27"	44 1/4"	25 1/2"	16"	7 GA.	3/8"	314#
80	23680	60"	21 1/2"	27"	56 1/4"	25 1/2"	16"	7 GA.	3/8"	398#
100	236100	60"	23 1/2"	27"	56 1/4"	25 1/2"	16"	7 GA.	3/8"	418#
120	236120	60"	27"	30"	56 1/4"	28 1/2"	16"	3/8"	3/8"	616#
150	236150	60"	31"	30"	56 1/4"	28 1/2"	16"	3/8"	3/8"	681#
200	236200	72"	29 3/8"	36"	68 1/4"	34 1/2"	16"	3/8"	3/8"	908#
300	236300	72"	38 1/2"	36"	68 1/4"	34 1/2"	16"	3/8"	3/8"	999#
400	236400	72"	38 1/2"	48"	68 1/4"	46 1/2"	16"	3/8"	3/8"	1460#
500	236500	72"	43"	48"	68 1/4"	46 1/2"	16"	3/8"	3/8"	1618#
600	236600	96"	43"	48"	92 1/4"	46 1/2"	16"	3/8"	3/8"	1685#
700	236700	96"	49"	48"	92 1/4"	46 1/2"	16"	3/8"	3/8"	1843#



# JUMBO J.I.C. TYPE RESERVOIRS



### Each Jumbo JIC Reservoir Includes:

1. (2) Oil Level and Temperature Gauges
2. (2) Risers with Filler Breathers
3. (4) Steel Endcovers with Gaskets
4. (2) Baffles with cutouts for circulation
5. (2) 2" NPT Drains
6. Exterior of reservoir prime painted
7. Interior of reservoir coated with rust preventive oil.

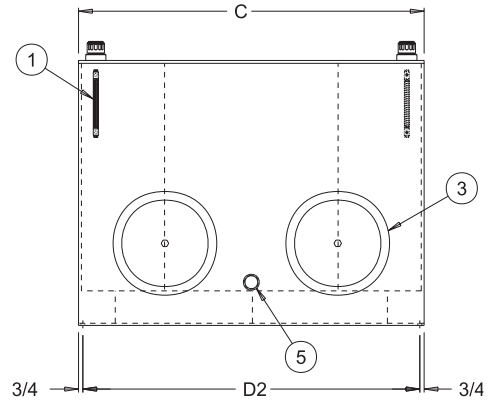
### Sight Gauge

800 to 1000 gallon -10" Sight Gauge (FMALG10T)

### Filler Breather

Bayonet Style - 40 micron (5201)

*Sight Gauge and Filler Breather shipped loose inside reservoir*



Capacity Gallons	Vescor Part Number	Tank Dimensions (inches)						Material Thickness		Shipping Weight (lbs.)	
		A Length	B Height	C Width	Mounting Centers			Top	Ends		
					D1A±1/8"	D1B±1/8"	D2±1/8"	End Cover			
800	<b>100800</b>	96"	46"	60"	44 1/4"	48"	58 1/2"	18"	1/2"	3/8"	2696#
900	<b>100900</b>	96"	51"	60"	44 1/4"	48"	58 1/2"	18"	1/2"	3/8"	2860#
1000	<b>1001000</b>	96"	56"	60"	44 1/4"	48"	58 1/2"	18"	1/2"	3/8"	3025#

Note: Jumbo JIC Reservoirs are standard non-stock reservoirs. Consult factory for lead times.