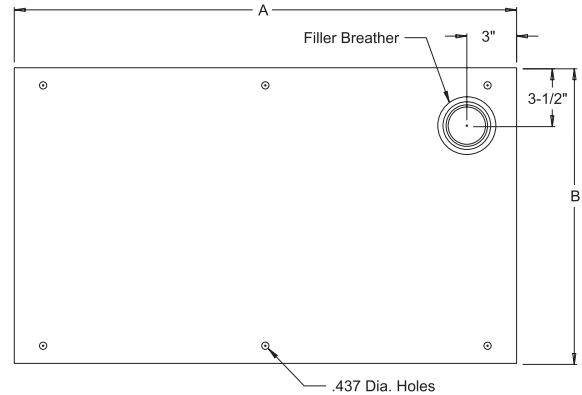
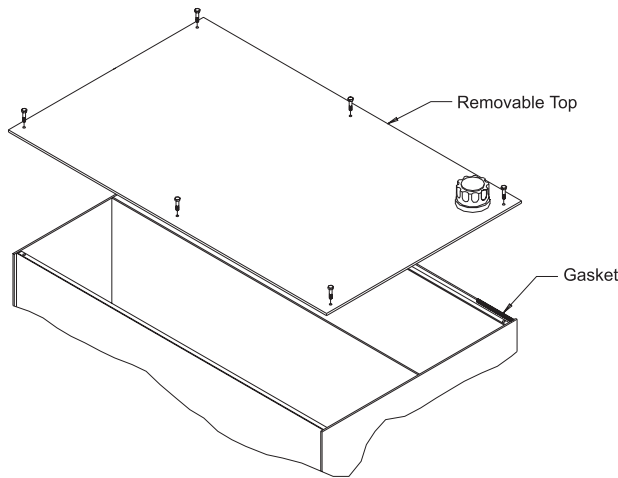




# REMOVABLE TOPS

## Style RT Removable Top



### Each Style RT Removable Top Includes:

1. (1) Riser with Filler Breather
2. (1) Set of Mounting Hardware
3. Exterior surface of removable top prime painted

**Filler Breather:** Bayonet Style - 40 micron (5201)

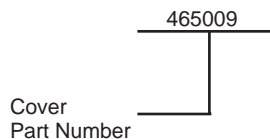
Vescor Part Number	Description Gallons	Description Cover	Dimensions		Shipping Weight
			A	B	
465001	10	1/4"	19"	18"	25#
465002	10	3/8"	19"	18"	37#
465003	10	1/2"	19"	18"	50#
465004	20	1/4"	30"	18"	39#
465005	20	3/8"	30"	18"	59#
465006	20	1/2"	30"	18"	78#
465007	35/50	1/4"	36"	24"	62#
465008	35/50	3/8"	36"	24"	94#
465009	35/50	1/2"	36"	24"	123#
*465010	35/50	3/4"	36"	24"	184#
465015	70	1/4"	48"	27"	93#
465016	70	3/8"	48"	27"	140#
465017	70	1/2"	48"	27"	186#
*465018	70	3/4"	48"	27"	279#

Vescor Part Number	Description Gallons	Description Cover	Dimensions		Shipping Weight
			A	B	
465019	90	1/4"	60"	27"	116#
465020	90	3/8"	60"	27"	175#
465021	90	1/2"	60"	27"	232#
*465022	90	3/4"	60"	27"	348#
465023	130/160	1/4"	60"	30"	129#
465024	130/160	3/8"	60"	30"	194#
465026	130/160	1/2"	60"	30"	258#
*465027	130/160	3/4"	60"	30"	387#
*465028	130/160	1"	60"	30"	516#
465034	210	1/4"	72"	36"	186#
465035	210	3/8"	72"	36"	278#
465036	210	1/2"	72"	36"	371#
*465037	210	3/4"	72"	36"	566#
*465038	210	1"	72"	36"	736#

\*Standard non stock top - consult factory for lead times

### ORDERING INFORMATION:

Reservoirs do not include Removable Tops.  
**Removable Tops are ordered as separate items.**  
 Please use VESCOR part number when ordering.



NOTE:  
 Removable Top in example is a 1/2" thick top for a 35 gallon RT Reservoir.